

Model Name: PM3N ver 1.2

Project Name: PCI express minicard adapter

Schematic update note:

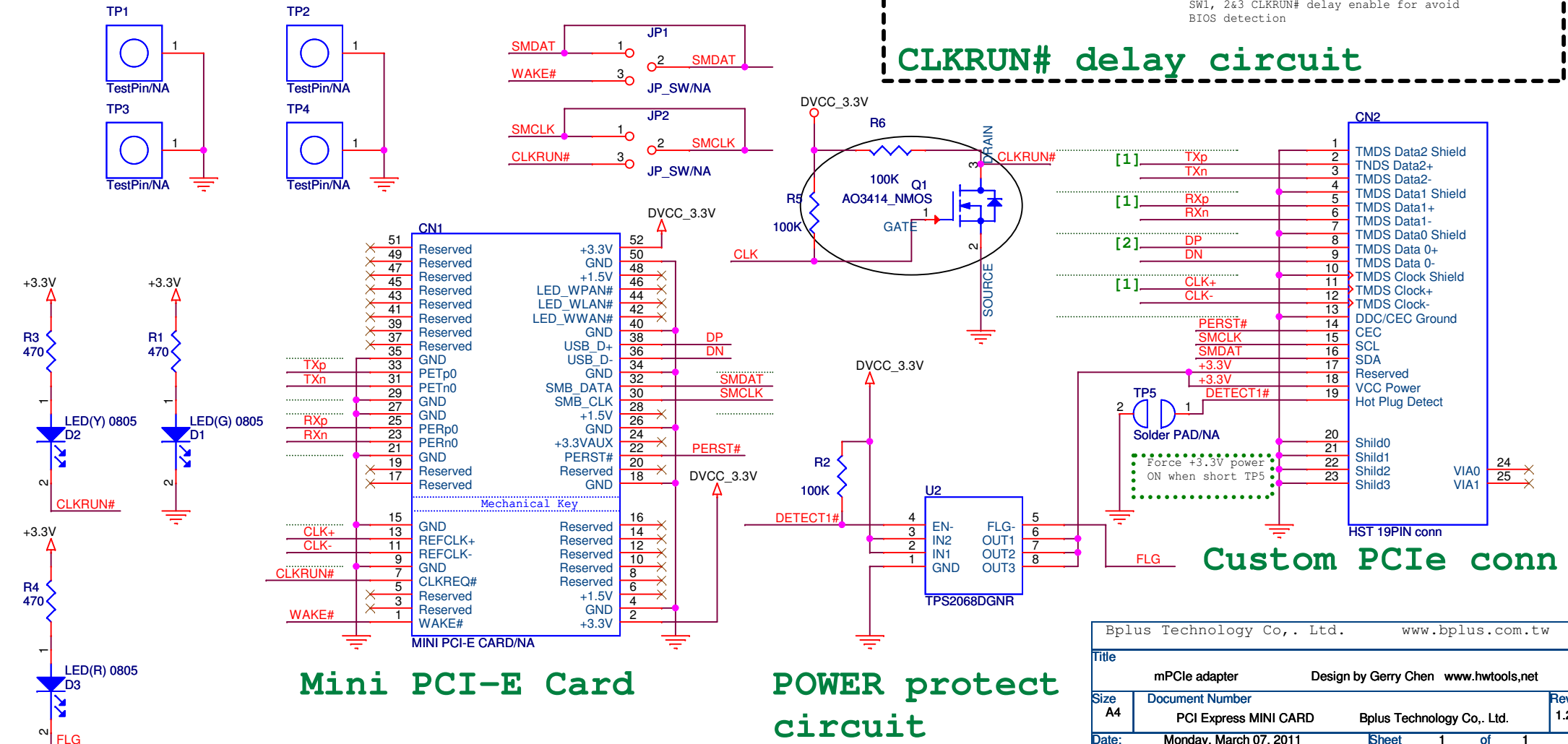
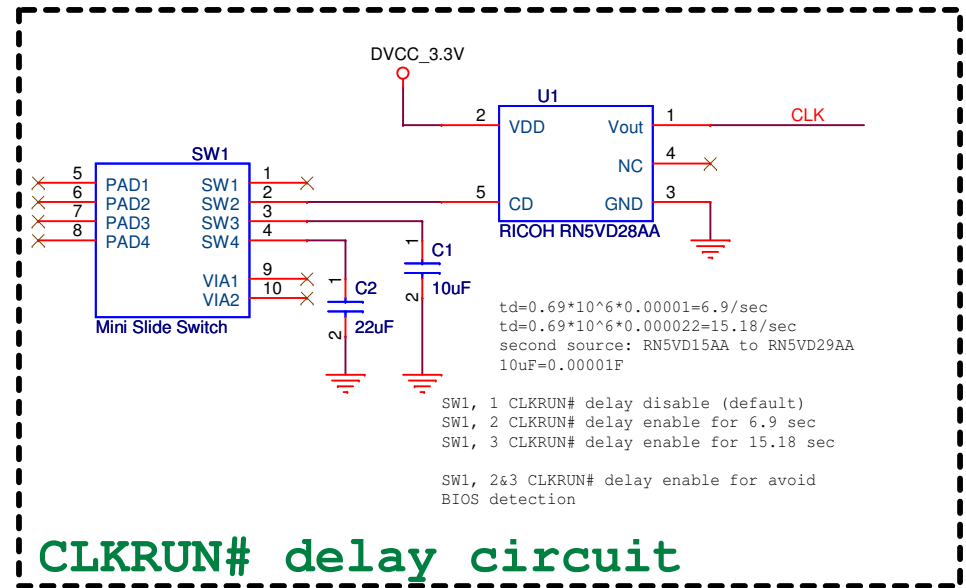
Ver 1.00 First released.....2009/07/24

Ver 1.10 Second released.....2009/09/23

For nando whitelist and PnP request. Add F1, IC1, IC2, JP3

Ver 1.2 ...2010Oct31 For nando request add CLKRUN#

delay schemaitc, del PERST# delay switch.



Bplus Technology Co., Ltd.		www.bplus.com.tw	
Title		mPCIe adapter	
Design by Gerry Chen		www.hwtools.net	
Size	Document Number	Rev	
A4	PCI Express MINI CARD	Bplus Technology Co., Ltd.	1.2
Date:	Monday, March 07, 2011	Sheet	1 of 1