

Model Name: PE4L

Product Name: PCIe Add-on Card adapter

schematic Ver1.5

Schematic update note:

First released.....2009/June/20 V1.10

2nd released.....2009/Aug /01 V1.20

Add Floppy +12V, +5V input

Add USB port

Change DC/DC to V/R LT1084Ct-3.3

3rd released.....2009/Dec /08 V1.40

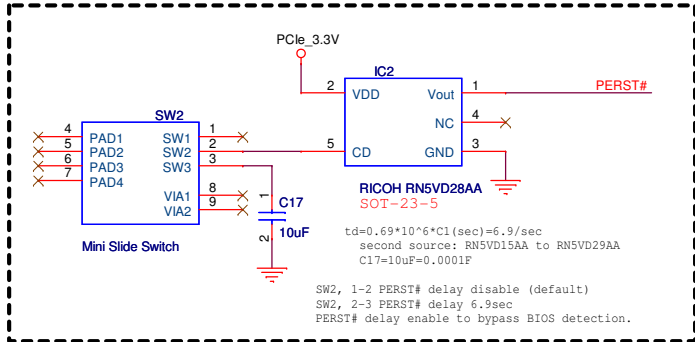
Add U4 AP2181 power switch IC

Add D4

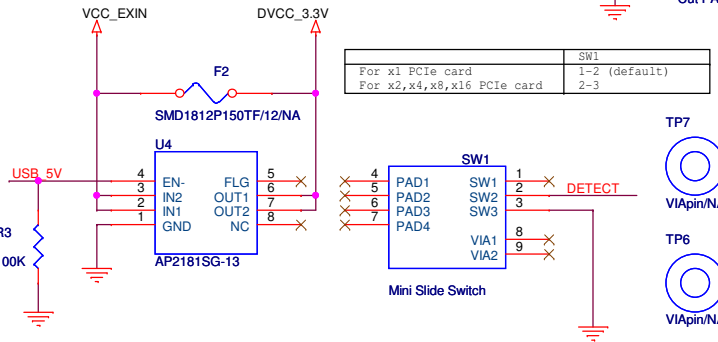
4nd released.....2010/Apr /19 V1.5

Add IC2, SW2 delay schematic

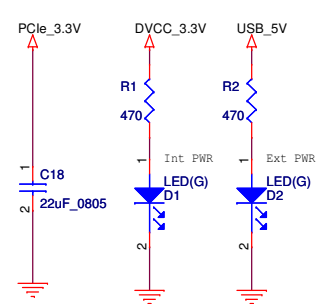
Add D4



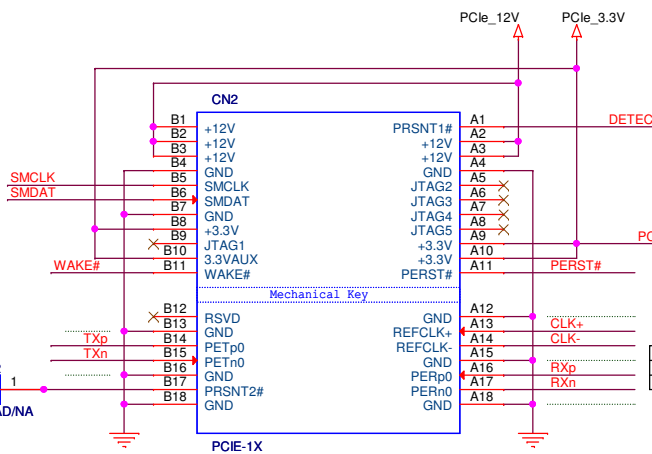
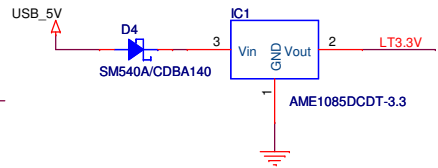
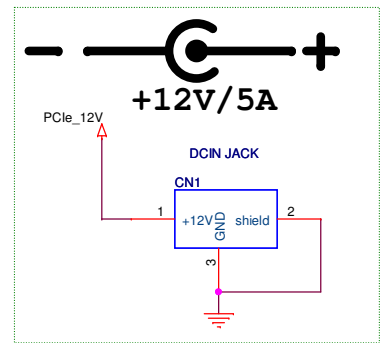
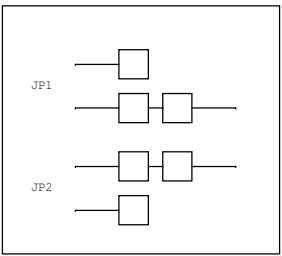
SW2	Description
1-2	PERST# delay disable
2-3	PERST# dealy enable



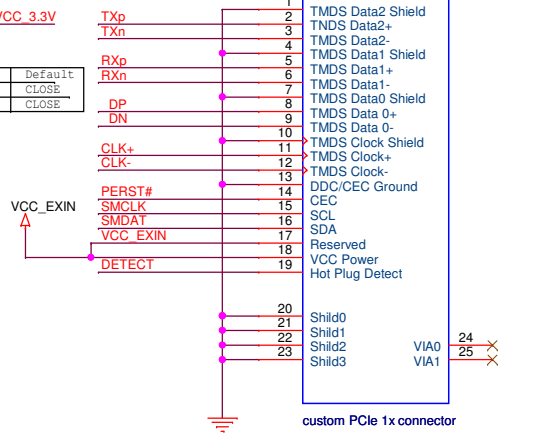
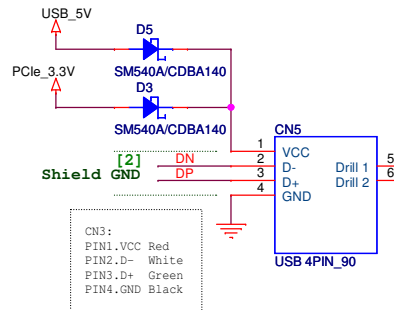
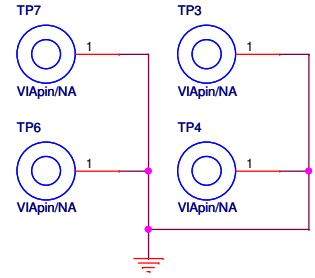
PE4L product design for x1 PCIe add-in card. Insert x2,x4, x8, x16 may not detect and no power. Switch SW1 to 2-3 can force detect and power ON to test all of PCIe card.



LED	Description
D1	Internal PC POWER
D2	External DC jack POWER



JUMP	Description	Default
JP3	External DC jack POWER	CLOSE
JP4	Internal PC POWER	CLOSE



Title			www.BPlus.com.tw		
PE4L	PCIe adapter	design by: Mike			
Size B	Document Number	PCIE_EXCARD	Bplus Technology Co., Ltd.	Rev	1.5
Date:	Monday, July 12, 2010	Sheet	1	of	1