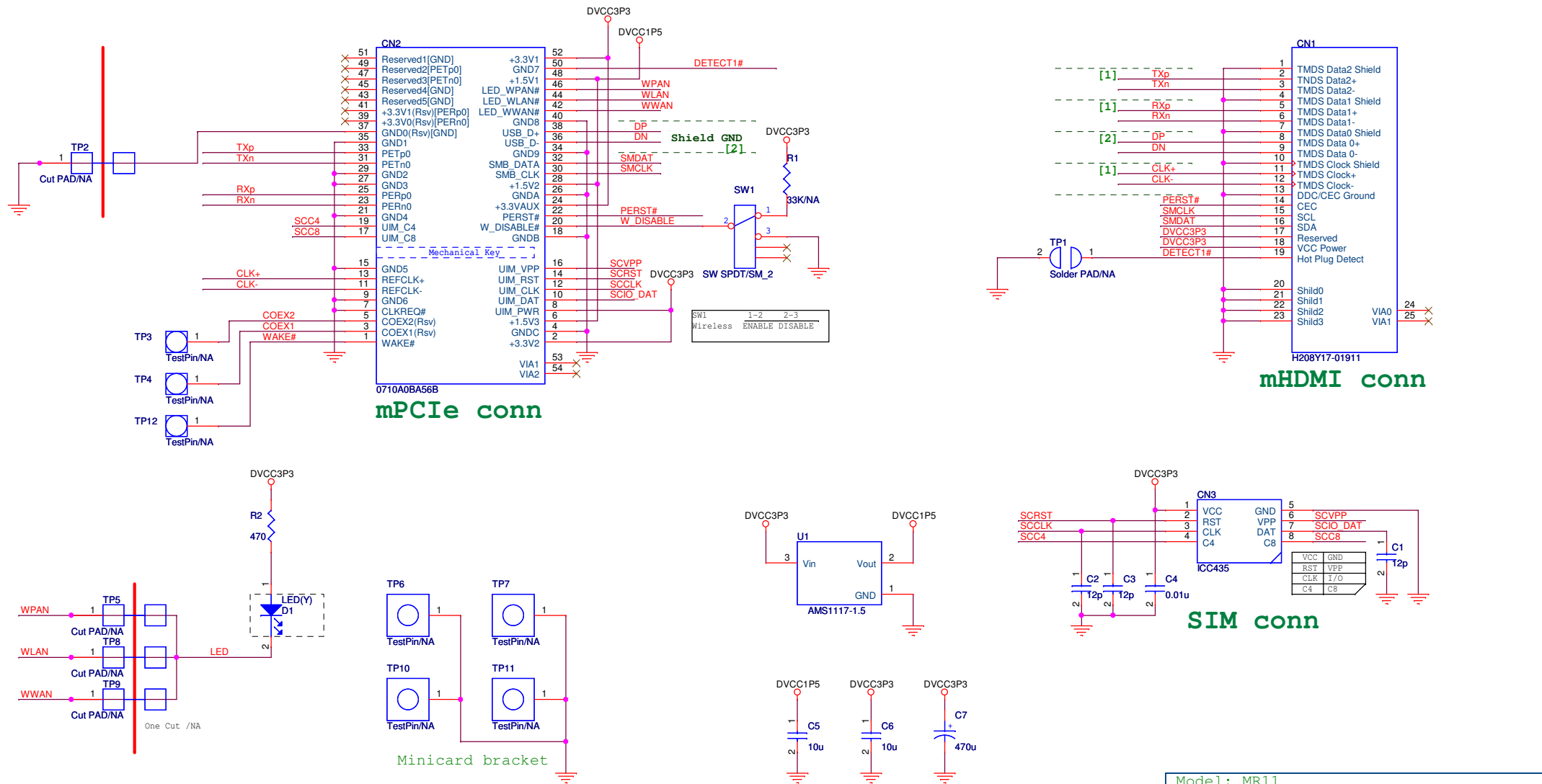


# PCI Express minicard Reader Ver1.0

## Model:MR11

History: Ver1.0 first release.....2009Aug26

- [1] Impedance control required for CLK+ CLK- PETXP PETXN PERXP PERXN : 100ohm
- [2] Impedance control required for DP DN : 90ohm



Model: MR11			
Title			
PCI Express MiniCard Reader Ver1.0		Design by:Gerry Chen	
Size	Document Number	Rev	1.00
B	MiniCard Reader	www.hwtools.net	
Date:	Thursday, August 27, 2009	Sheet	1 of 1